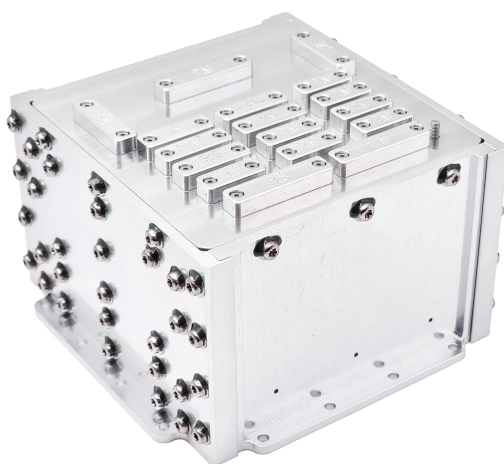


## iX10-101

The iX10 family is Unibap's most competent and versatile computer solution for highly demanding space applications. It offers a wide range of I/O interfaces, exceptional data processing capabilities, and extensive storage capacities. Combined, these features push the boundaries of our utilization of space.



### MARKETLEADING I/O



Connect anything to everything with the iX10-101's vast interfacing capability. The standard configuration offers a number of CameraLink, Ethernet, SpaceWire, USB 3.0, CAN, I2C and Serial ports, with even more connectivity available on demand.

### CUTTING-EDGE PERFORMANCE

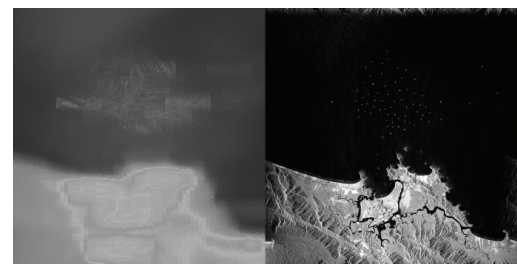
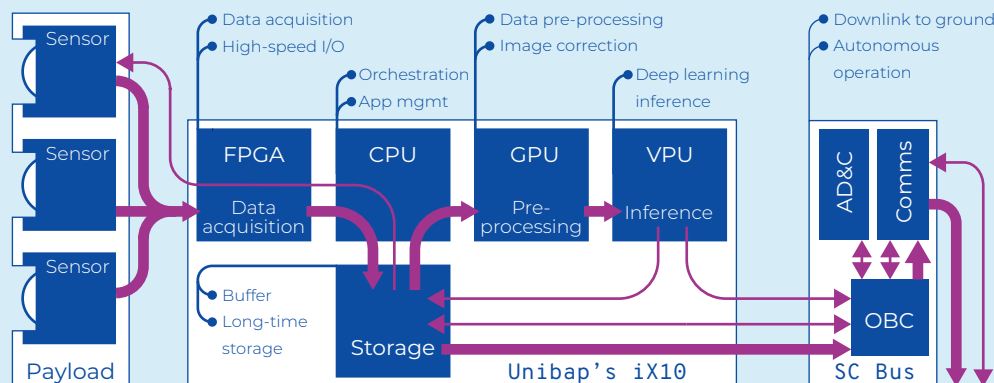


Unleash Earth's computing force in space. Powered by AMD Ryzen V1000 CPU, AMD Radeon GPUs, and Intel Movidius Myriad X VPU, the iX10 is engineered for the most intricate computations and AI tasks, and its Microsemi PolarFire FPGA and robust SATA and NVMe SSD storage delivers unmatched flexibility and reliability for your mission.

### USER-FRIENDLY



The iX10 is a perfect vehicle to implement the opportunities of open platform computing in space. It runs on Unibap's operating system, a Linux-based operating system that allows even those without prior space experience to create reliable and robust software for the most complex of space missions.



### Application example

Real time SAR-focusing, in-space edge computing to allow deep learning inference, compression and image processing in orbit.



# Unibap's iX10-101 Versatile Open Platform for Intelligent Data Processing in Space

**Model Name** **iX10-101**

PROCESSING & MEMORY	
Intelligent Processing Core	Unibap COMexpress e23 family
CPU	AMD Ryzen V1000 CPU
GPU	8 x AMD Radeon GPU
VPU	Intel Movidius Myriad X
RAM	24 GB DDR4 ECC (CPU/GPU)
Storage	2 x 4 TB NVMe SSD 1 x 128 GB SATA SSD
I/O INTERFACE	
Camera Link	2 x Camera Link Base
CAN	1 x 2.0/FD
Display port	1 x (inside enclosure)
Ethernet	2 x 10 GbE (10GBASE-T)
I2C	2 x
PPS	Proprietary PLET
Serial communication	1 x RS232 4 x RS485/422
SpaceWire	2 x
Stepper Motor Control	1 x
Thermistor inputs	8 x
USB	2 x USB 3.0/2.0
MECHANICAL	
Dimensions (est).	125 (W) x 125 (H) x 75 (D) [mm]
Weight	1400 g (800 g without enclosure)
Enclosure	5 mm Al
ENVIRONMENTAL & ELECTRICAL	
Power consumption	<40 W (Depending on processing and storage load)
Input power voltage	12 V DC
Operating temperature	-20 °C to 55 °C
Vibration	Qualified for launch, details upon request
Certification	IPC 610-E Class III (RoHS)
SOFTWARE SUPPORT	
Operating System	Unibap OS (Linux)
Unibap Functions and Applications	Supported

Information may change at any time.